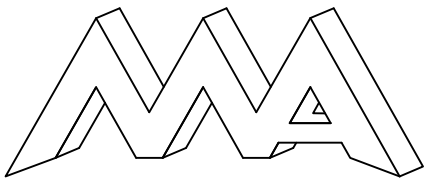
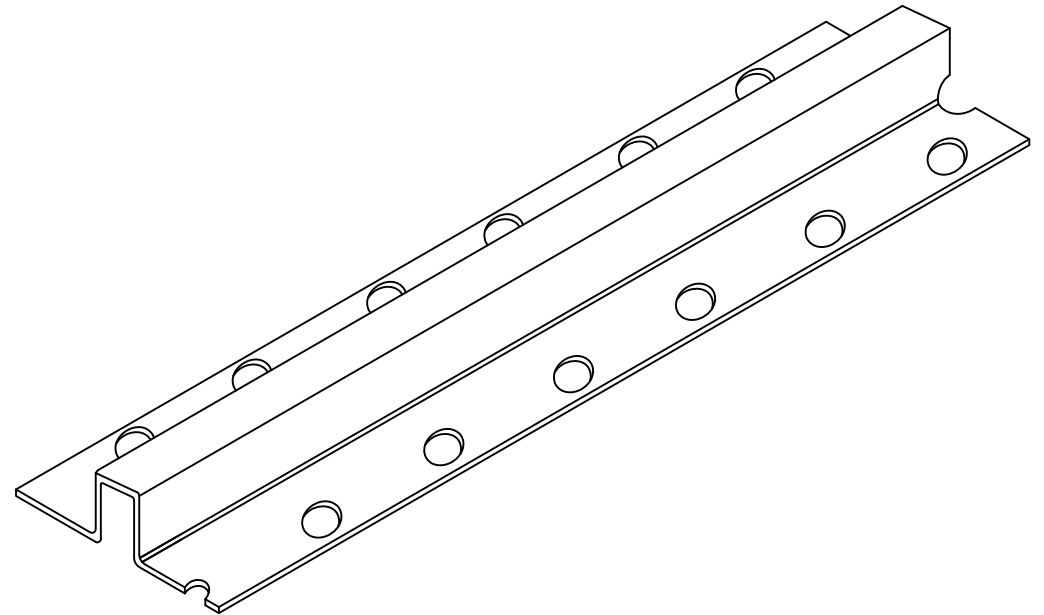


## Ready-EX

Strip Height	Width of void (opening)	
	1/4	1/2
3/8	Z, A	Z

Z=Zinc

A=Aluminum



**MANHATTAN AMERICAN**

TERRAZZO STRIP COMPANY, INC.

TOLL FREE: 888-462-2813

[WWW.MANHATTANAMERICAN.COM](http://WWW.MANHATTANAMERICAN.COM)